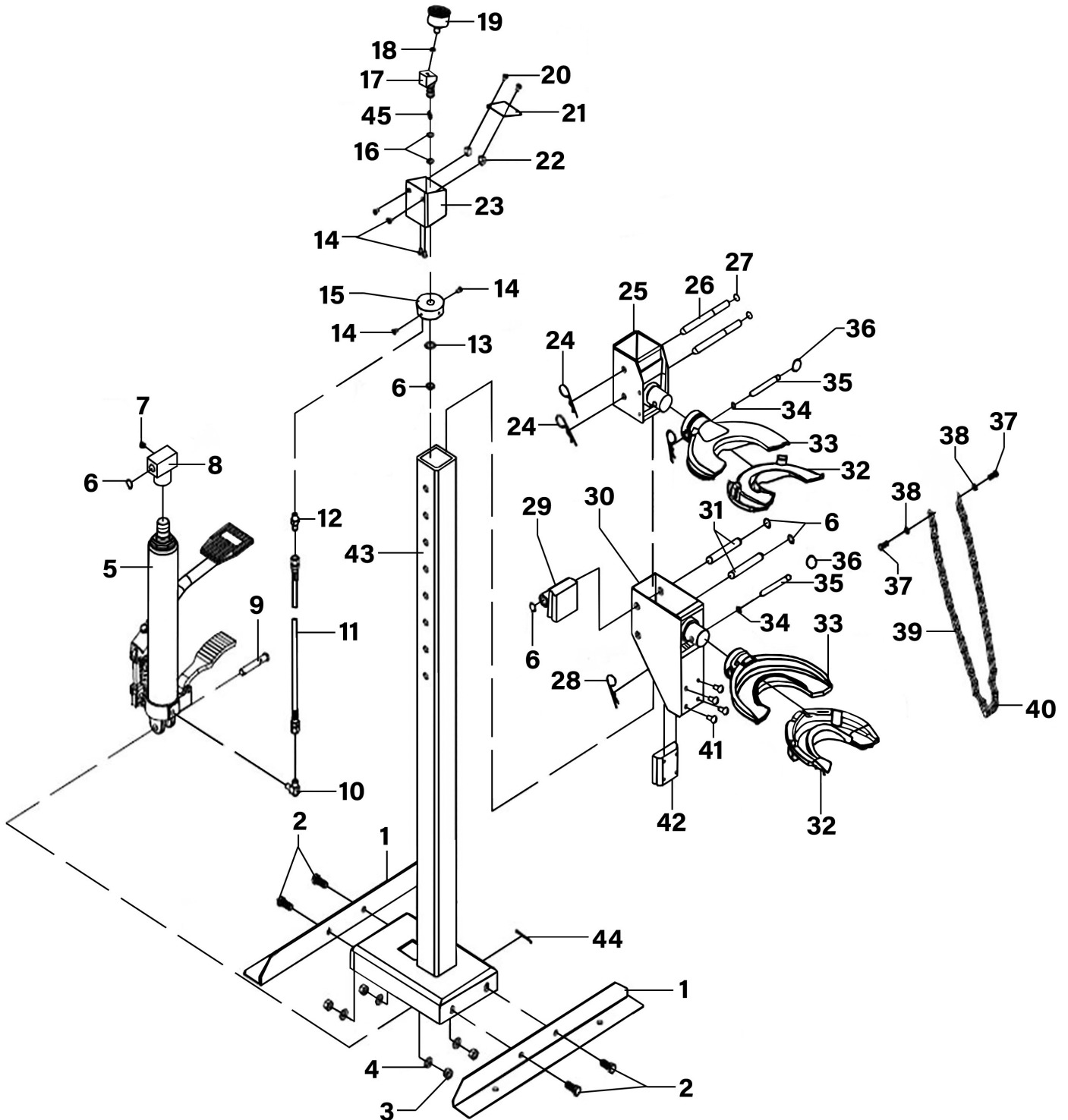




Parts Information:
**Coil Spring Compressing Station
with Gauge Hydraulic 2000kg
Capacity
Model No: RE2311**



NOTE: It is our policy to continually improve products and as such we reserve the right to alter data, specifications and component parts without prior notice. There may be alternative versions of this product, please contact us should you require this information.

IMPORTANT: No liability is accepted for incorrect use of product. Spare parts must be fitted by a competent person

WARRANTY: Guarantee is 12 months from purchase date, proof of which will be required for any claim.

Sealey Group, Kempson Way, Suffolk Business Park, Bury St Edmunds, Suffolk. IP32 7AR



01284 757500



sales@sealey.co.uk



www.sealey.co.uk



Parts Information:
**Coil Spring Compressing Station
with Gauge Hydraulic 2000kg
Capacity
Model No: RE2311**

Item	Part No.	Description
1	RE231.V3-21	Bracket
2	SS1025.S	Hex Head Set Screw M10 X 25 Zinc
3	SN10.S	Steel Nut M10 Zinc
4	FWM10.S	Flat Washer M10 Zinc
5	RE2311.05	Ram Ass'y
6	RE231.V3-15	External Circlip 12.7mm ID.
7	GSM810.S	Grub Screw M8x10
8	RE231.V3-27	Saddle, Red T-Bar 58 x 32mm (14mm Bore) (Shaft Ø 34mm)
9	RE231.V3-19	Pin
10	RE2311.10	Elbow
11	RE2311.11	Oil Hose 13mm x 1140mm
12	RE2311.12	Connector
13	RE2311.13	Washer (20x14.2x2mm)
14	RE2311.14	Screw (M5x10)
15	RE2311.15	Connector Base
16	RE2311.16	O-Ring, (Ex: 14.73 In: 10.89 Cs: 1.92)
17	RE2311.17	Rotatable Connector
18	RE2311.18	Nylon Washer (8.7x4x3.8mm)
19	RE2311.19	Pressure Gauge
20	RE2311.20	Screw (M5x8)
21	RE2311.21	Cover Plate
22	RE2311.22	Mounting Base
23	RE2311.23	Protective Sleeve Ass'y
24	RE231.V3-12	R-Clip 4.2 X 2.9mm
25	RE2311.25	Upper Strut Support

Item	Part No.	Description
26	RE231.V3-07	Pin
27	RE231.V3-06	External Circlip 10.9mm ID.
28	RE231.V3-05	R-Clip 5.4 X 2mm
29	RE2311.42	Filler Block
30	RE2311.30	Lifting Plate Ass'y
31	RE231.V3-16	Pin
32	RE2311.32	Curved Coil Bracket Sleeve (Small)
32	RE2311.32M	Curved Coil Bracket Sleeve (Medium)
32	RE2311.32L	Curved Coil Bracket Sleeve (Large)
33	RE2311.33	Curved Coil Bracket (Small)
33	RE2311.33M	Curved Coil Bracket (Medium)
33	RE2311.33L	Curved Coil Bracket (Large)
34	ER1700PD.37	External Circlip 9.2mm ID.
35	RE231.V3-02	Pin
36	RE231.V3-03	Steel Ring
37	SS616.S	Hex Head Set Screw M6 X 16 Zinc
38	FWM6.S	Flat Washer M6 Zinc
39	RE231.V3-09	Chain
40	RE231.V3-13	Shackle
41	BHSS816.S	Button Head Socket Screw M8 X 16 Zinc
42	RE2311.42	Filler Block
43	RE2311.43	Upright
44	RE231.V3-24	Cotter Pin 2.8 x 30
45	RE2311.45	Screw (M6x8)

NOTE: It is our policy to continually improve products and as such we reserve the right to alter data, specifications and component parts without prior notice. There may be alternative versions of this product, please contact us should you require this information.

IMPORTANT: No liability is accepted for incorrect use of product. Spare parts must be fitted by a competent person

WARRANTY: Guarantee is 12 months from purchase date, proof of which will be required for any claim.

Sealey Group, Kempson Way, Suffolk Business Park, Bury St Edmunds, Suffolk. IP32 7AR



01284 757500



sales@sealey.co.uk



www.sealey.co.uk